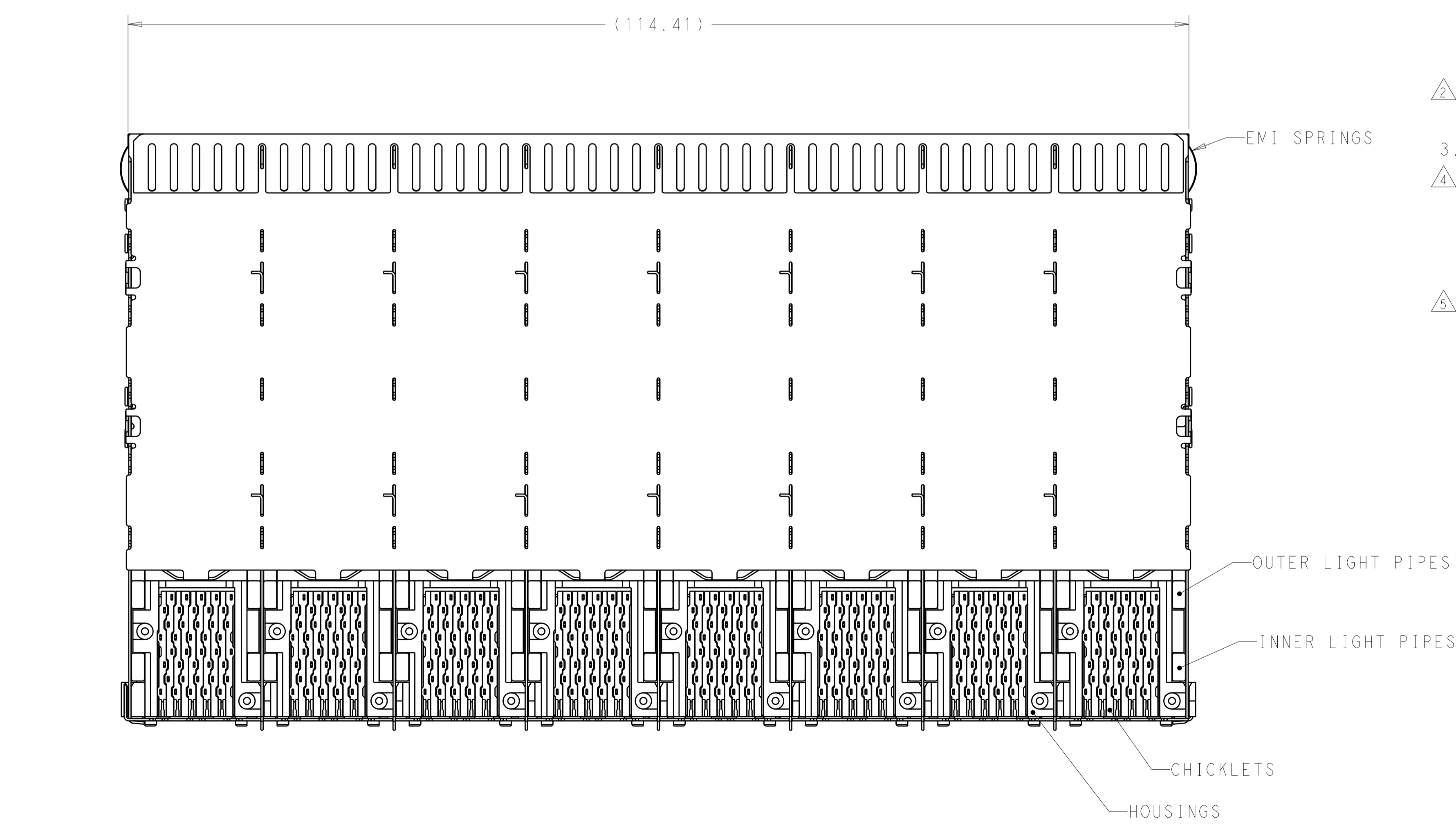
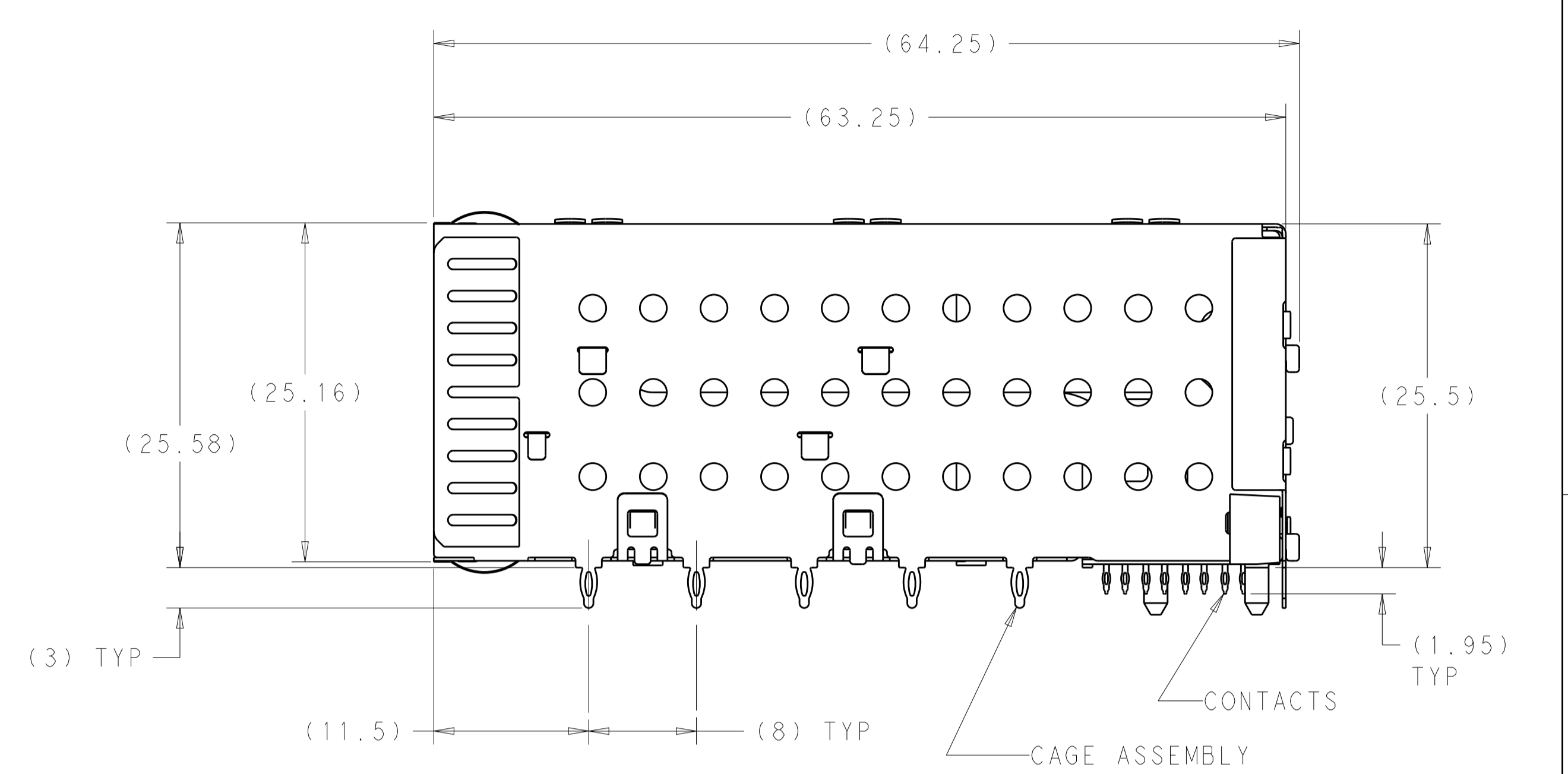
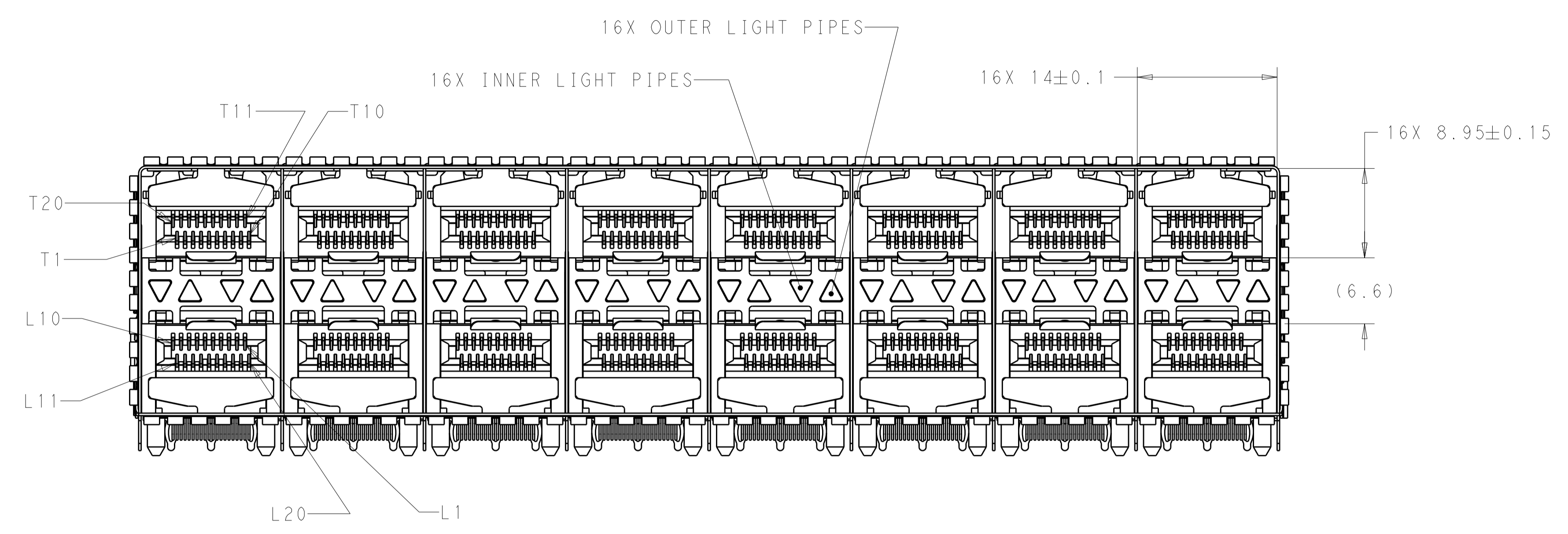


LOC		DIST		REVISIONS			
GP	00	P	LTN	DESCRIPTION	DATE	DMN	APVD
		A		RELEASED PER ECO-11-020522	11OCT2011	CJV	PAR
		A1		REVISED PER ECO-13-003678	04APR2013	CJV	PAR



- ⚠ MATERIALS:  
 CAGE ASSEMBLY- NICKEL SILVER ALLOY PER ASTM B 122.  
 EMI SPRINGS- COPPER ALLOY.  
 HOUSING- BLACK LCP, UL 94V-0 RATED.  
 CHICKLET- BLACK LCP, UL 94V-0 RATED.  
 LIGHT PIPE- POLYCARBONATE, CLEAR.  
 CONTACT- COPPER ALLOY.
- ⚠ DATUM AND BASIC DIMENSIONS ESTABLISHED BY CUSTOMER.
- 3. MINIMUM PCB THICKNESS OF 1.5.
- ⚠ CONTACT FINISH- CONFORMS TO THE REQUIREMENTS OF TYCO ELECTRONICS PRODUCT SPECIFICATION 108-2331, BASED ON EIA/ECA-364-1000.01A, (CONTROLLED ENVIRONMENT APPLICATIONS) ON MATING INTERFACE, TIN-LEAD ON NEEDLE EYE.
- ⚠ CONTACT FINISH- CONFORMS TO THE REQUIREMENTS OF TYCO ELECTRONICS PRODUCT SPECIFICATION 108-2331, BASED ON EIA/ECA-364-1000.01A, (CONTROLLED ENVIRONMENT APPLICATIONS) ON MATING INTERFACE, TIN ON NEEDLE EYE.
- ⚠ FOR HOLE SIZE AND PLATINGS, SEE APPLICATION SPEC 114-13219.
- ⚠ THE ENTIRE AREA OF THE CONNECTOR FOOTPRINT, INDICATED BY THE DASHE LINE, TO BE CONSIDERED THE KEEPCUT AREA FOR COMPONENTS AND SIGNAL TRACES, TOP SIDE ONLY. TOP SIDE TRACES ALLOWED WITHIN CONNECTOR HOLE PATTERN.
- ⚠ LIGHT PIPE PAD LAYOUT IS FOR 0805 LOW PROFILE LED PACKAGE WITH A HEIGHT OF 0.8mm.
- ⚠ EMI SPRING FINISH: 0.8µm MINIMUM MATTE TIN OVER 0.8µm MINIMUM NICKEL, NONPLATED EDGES PERMISSIBLE.
- ⚠ ADDITIONAL COMPONENT LOCATED WITHIN LATCH PLATE FOR EMI SUPPRESSION.

YES	NO	NO	ENHANCED EMI	FINISH	DESCRIPTION	PART NUMBER
YES	NO	NO	NO	NO	NO LIGHT PIPES	1-2149490-8
					OUTER 2 LIGHT PIPES	1-2149490-7
					INNER 2 LIGHT PIPES	1-2149490-6
NO	NO	NO	NO	NO	4 LIGHT PIPES	1-2149490-5
					NO LIGHT PIPES	2149490-8
					OUTER 2 LIGHT PIPES	2149490-7
NO	NO	NO	NO	NO	INNER 2 LIGHT PIPES	2149490-6
					4 LIGHT PIPES	2149490-5
					NO LIGHT PIPES	2149490-4
NO	NO	NO	NO	NO	OUTER 2 LIGHT PIPES	2149490-3
					INNER 2 LIGHT PIPES	2149490-2
					4 LIGHT PIPES	2149490-1

THIS DRAWING IS A CONTROLLED DOCUMENT. DIMENSIONING AND TOLERANCING PER ASME Y14.5M-2009.

DMN: C. VALENTINE, 08OCT2010  
 CHK: J. PETERSON, 08OCT2010  
 APVD: J. PETERSON, 08OCT2010

NAME: CAGE AND PT CONNECTOR ASSEMBLY, WITH EMI SPRINGS, PRESS FIT, 2X8, STACKED SFP+

PRODUCT SPEC: 108-2331  
 APPLICATION SPEC: 114-13219

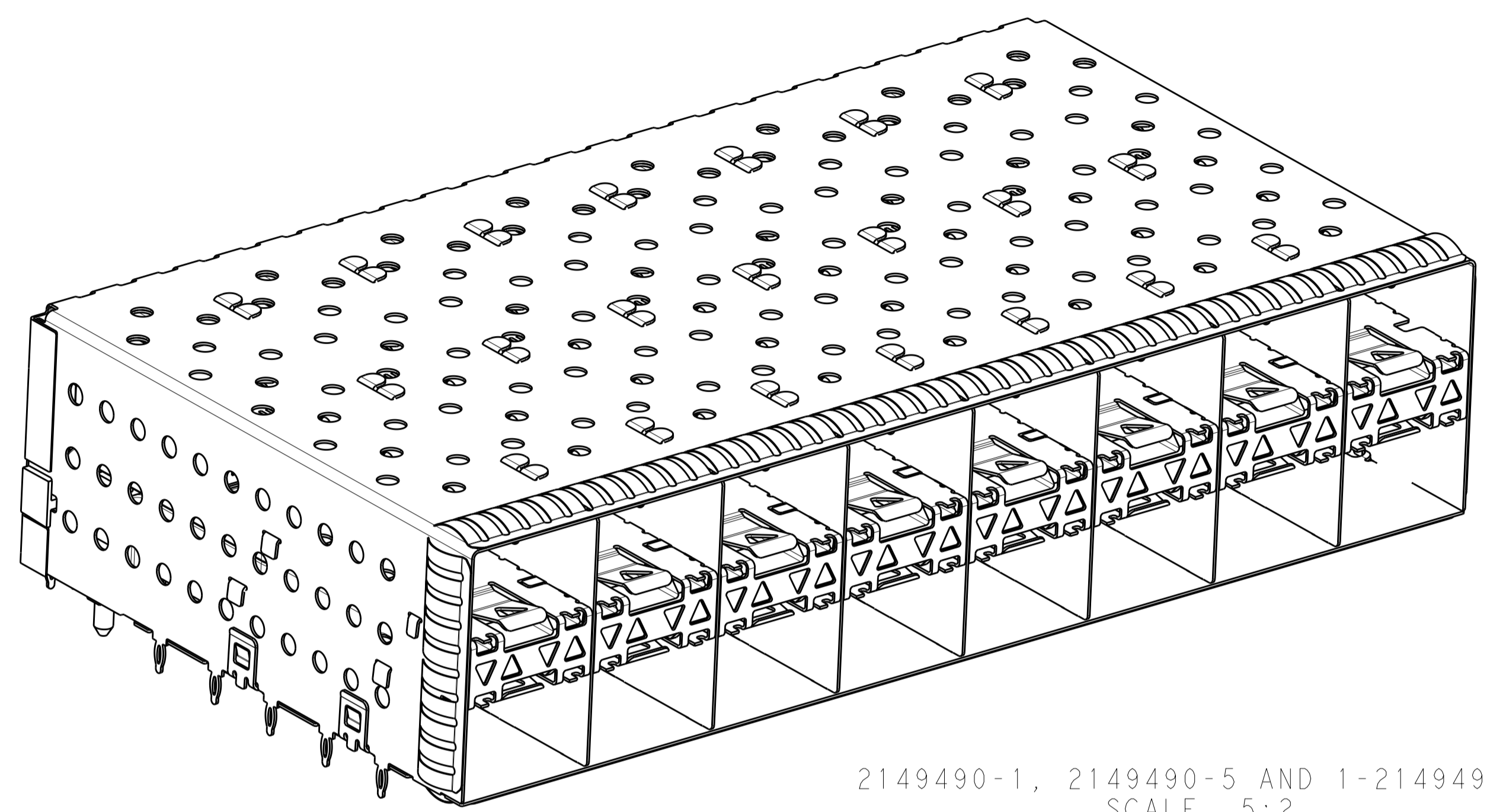
SIZE: CAGE CODE DRAWING NO: A100779, DRAWING NO: C=2149490

RESTRICTED TO: -

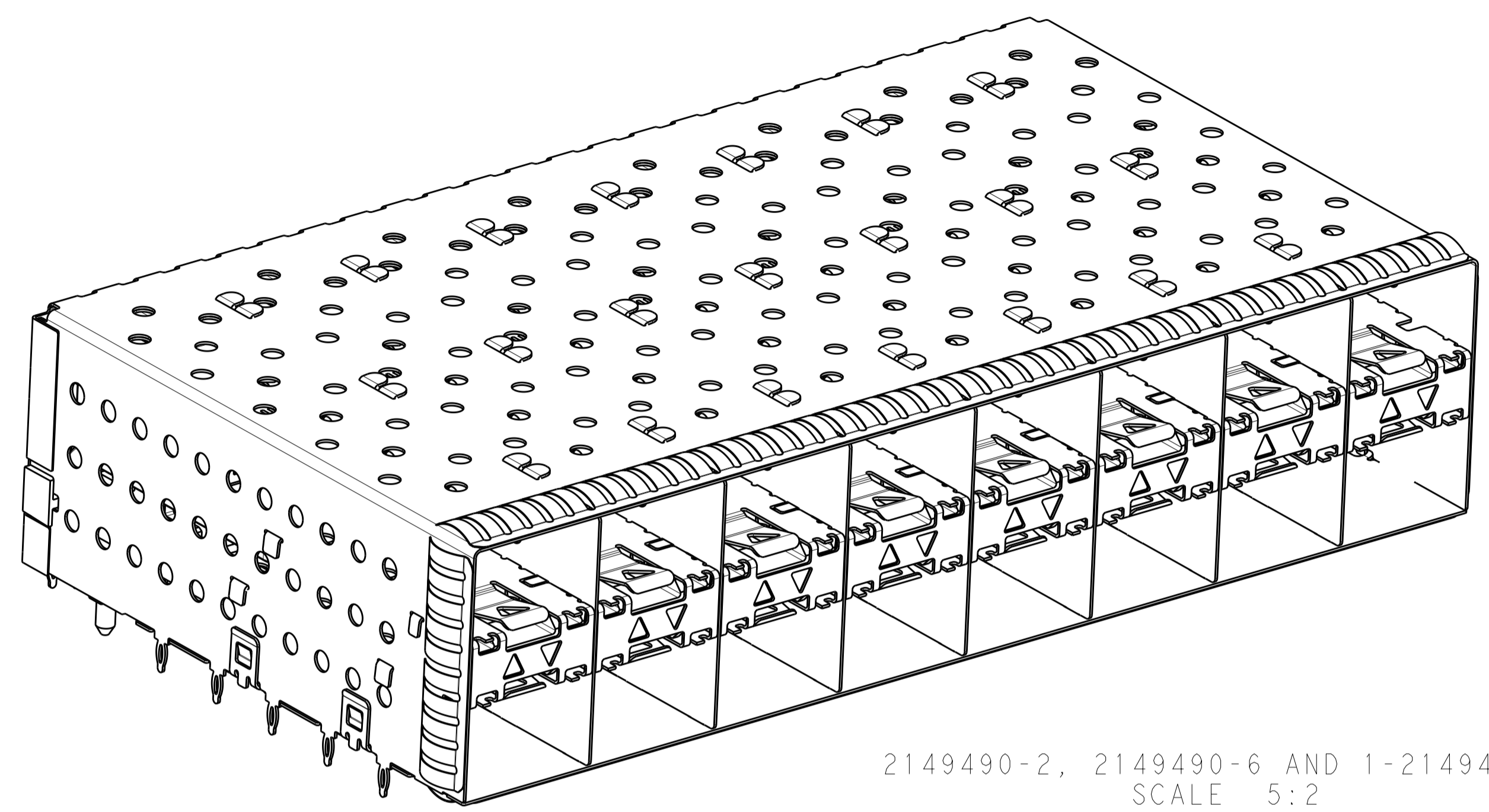
CUSTOMER DRAWING

SCALE: 3:1 SHEET 1 OF 4 REV A1

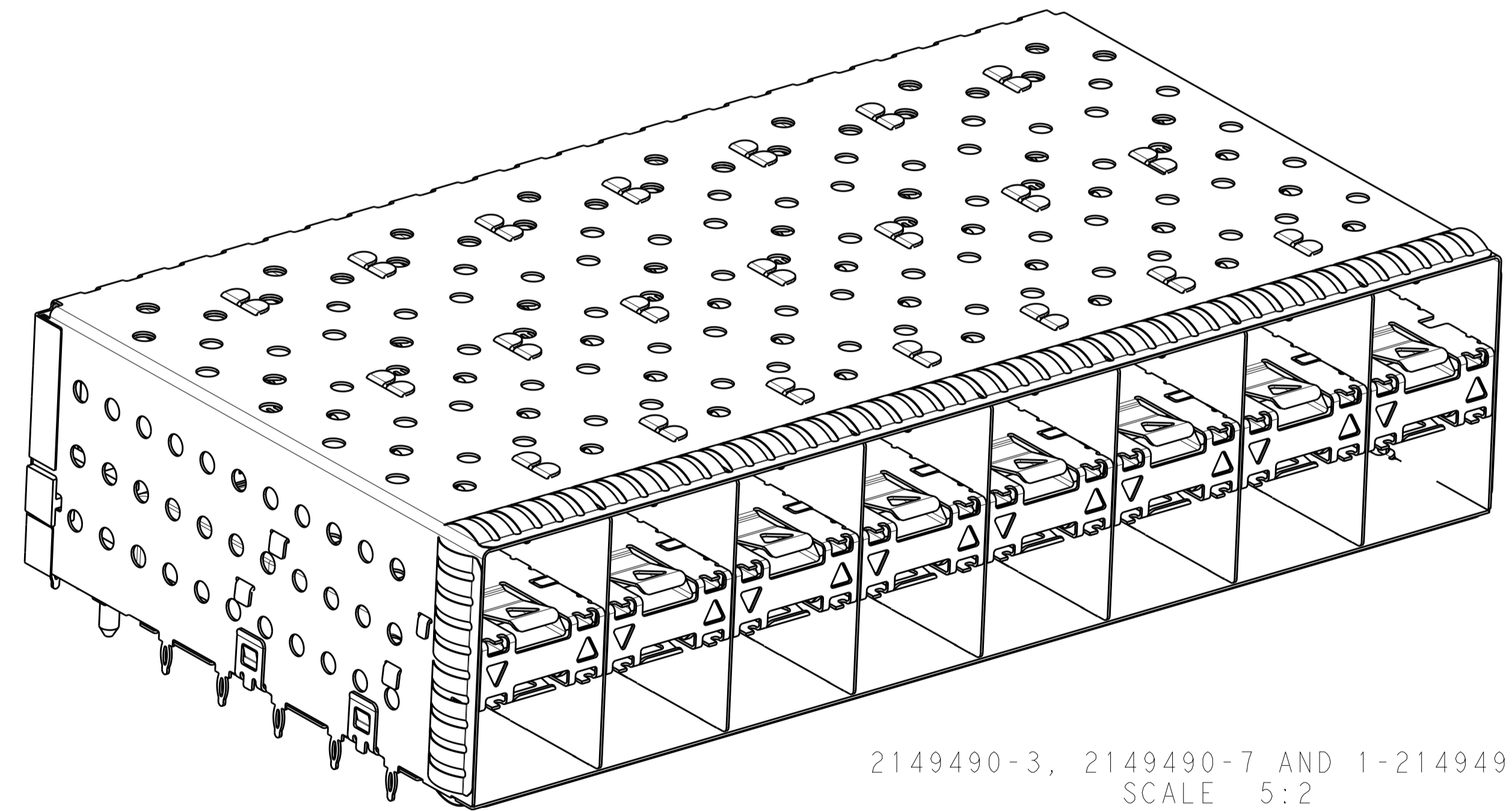
LOC	DIST	REVISIONS			
P	LYR	DESCRIPTION	DATE	OWN	APVD
GP	00	SEE SHEET 1			



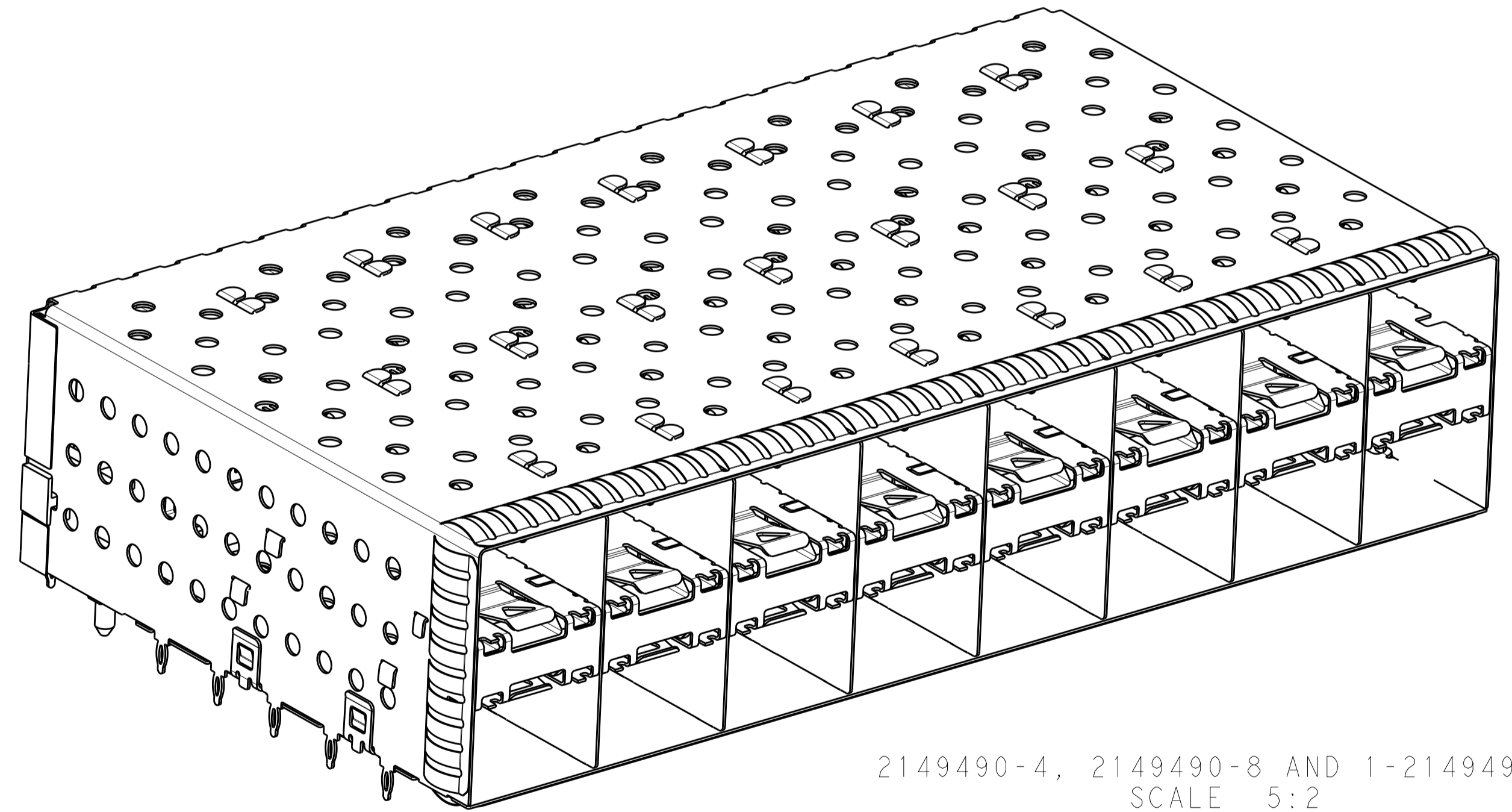
2149490-1, 2149490-5 AND 1-2149490-5  
 SCALE 5:2



2149490-2, 2149490-6 AND 1-2149490-6  
 SCALE 5:2



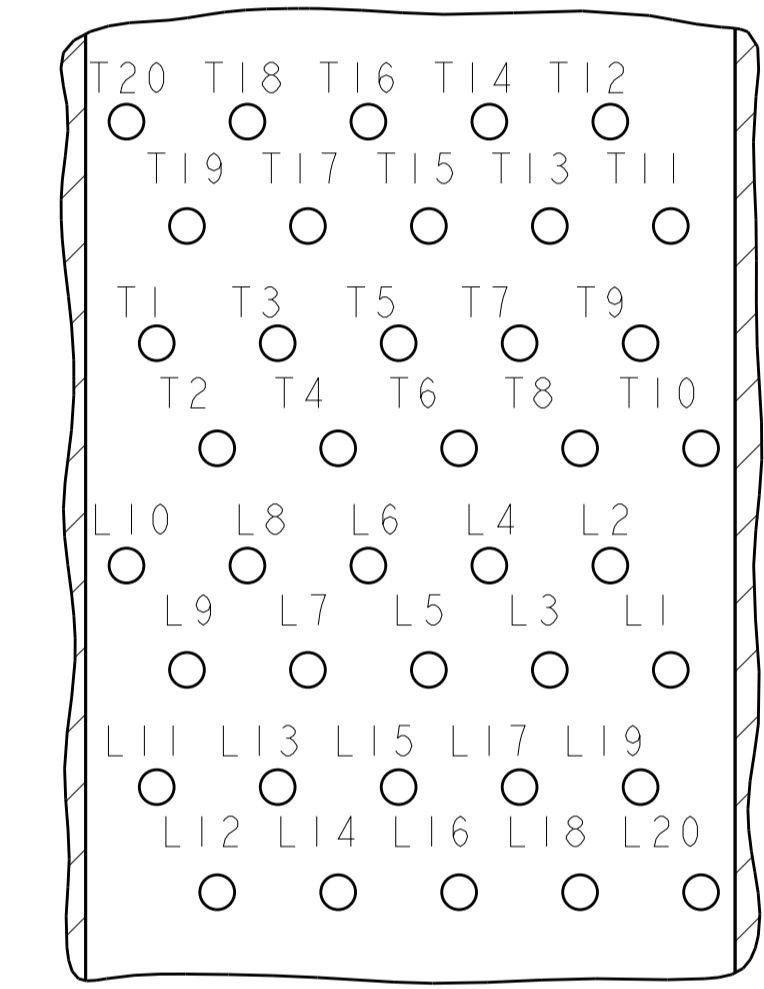
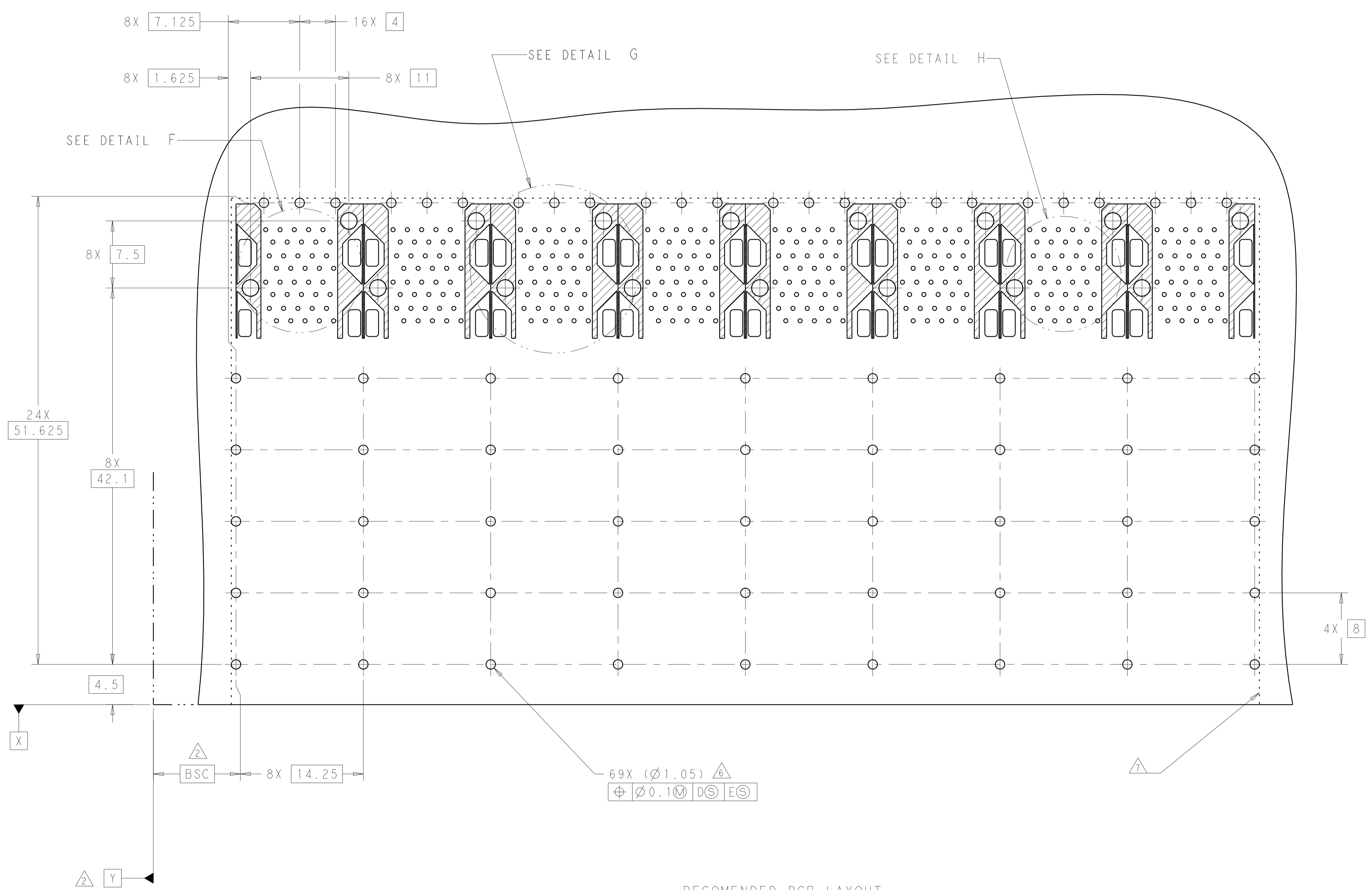
2149490-3, 2149490-7 AND 1-2149490-7  
 SCALE 5:2



2149490-4, 2149490-8 AND 1-2149490-8  
 SCALE 5:2

THIS DRAWING IS A CONTROLLED DOCUMENT. DIMENSIONING AND TOLERANCING PER ASME Y14.5M-2009		DWN C. VALENTINE 08OCT2010 CHK J. PETERSON 08OCT2010 APVD J. PETERSON 08OCT2010	TE Connectivity
DIMENSIONS: mm	TOLERANCES UNLESS OTHERWISE SPECIFIED: 0 PLC ± 1 PLC ±0.10 2 PLC ±0.10 3 PLC ±0.10 4 PLC ±0.10 ANGLES ±0.10	NAME CAGE AND PT CONNECTOR ASSEMBLY, WITH EMI SPRINGS, PRESS FIT, 2X8, STACKED SFP+	
MATERIAL FINISH	WEIGHT FINISH	PRODUCT SPEC 108-2331 APPLICATION SPEC 114-13219 SIZE CAGE CODE DRAWING NO A100779C=2149490	RESTRICTED TO SCALE 3:1 SHEET 2 OF 4 REV A1
CUSTOMER DRAWING			

LOC	DIST	REVISIONS					
GP	00	P	LTH	DESCRIPTION	DATE	DWN	APVD
		-		SEE SHEET 1			

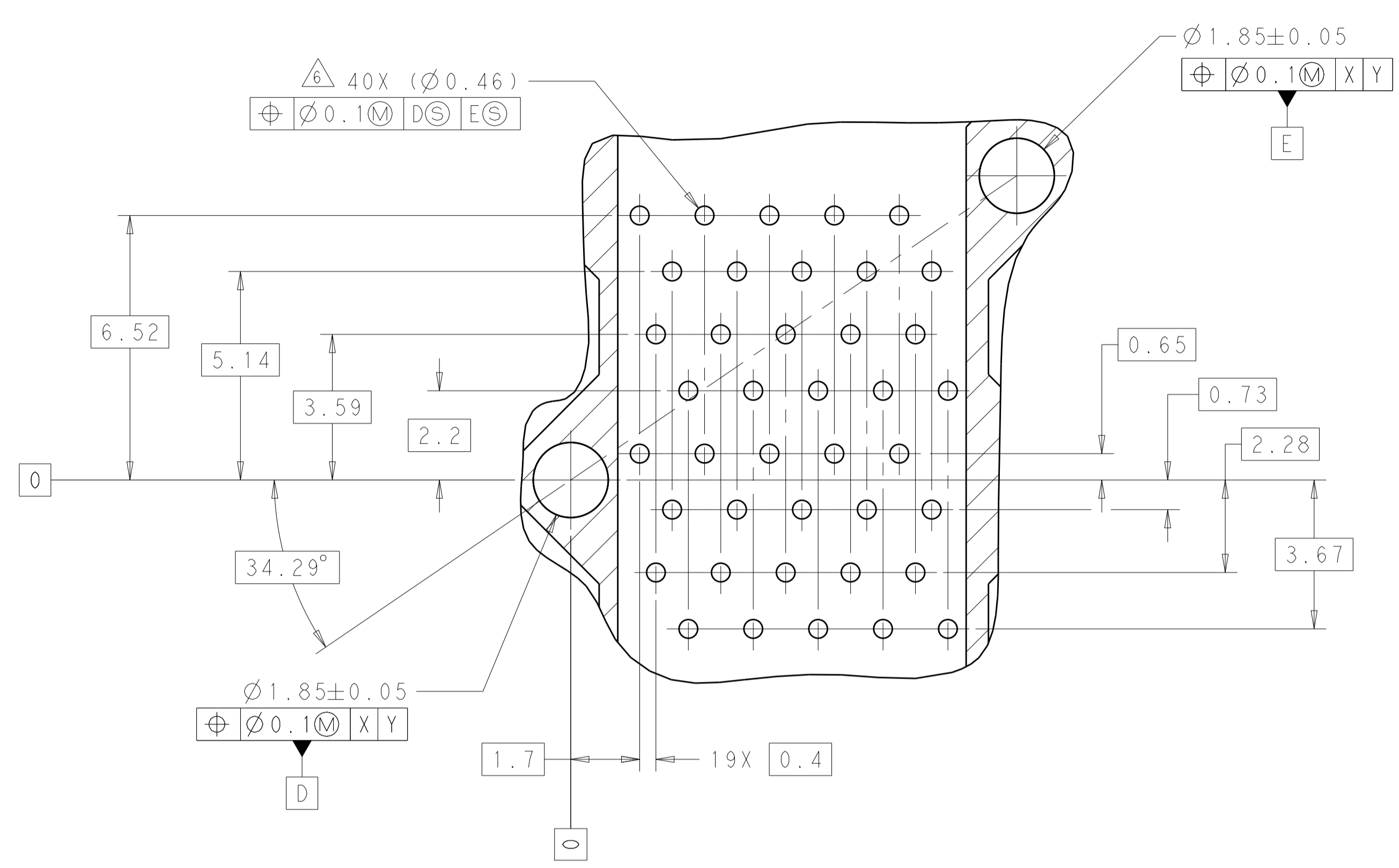


DETAIL H  
 CONNECTOR PIN-OUT  
 COMPONENT SIDE OF BOARD  
 8X INDIVIDUALLY  
 SCALE 10:1

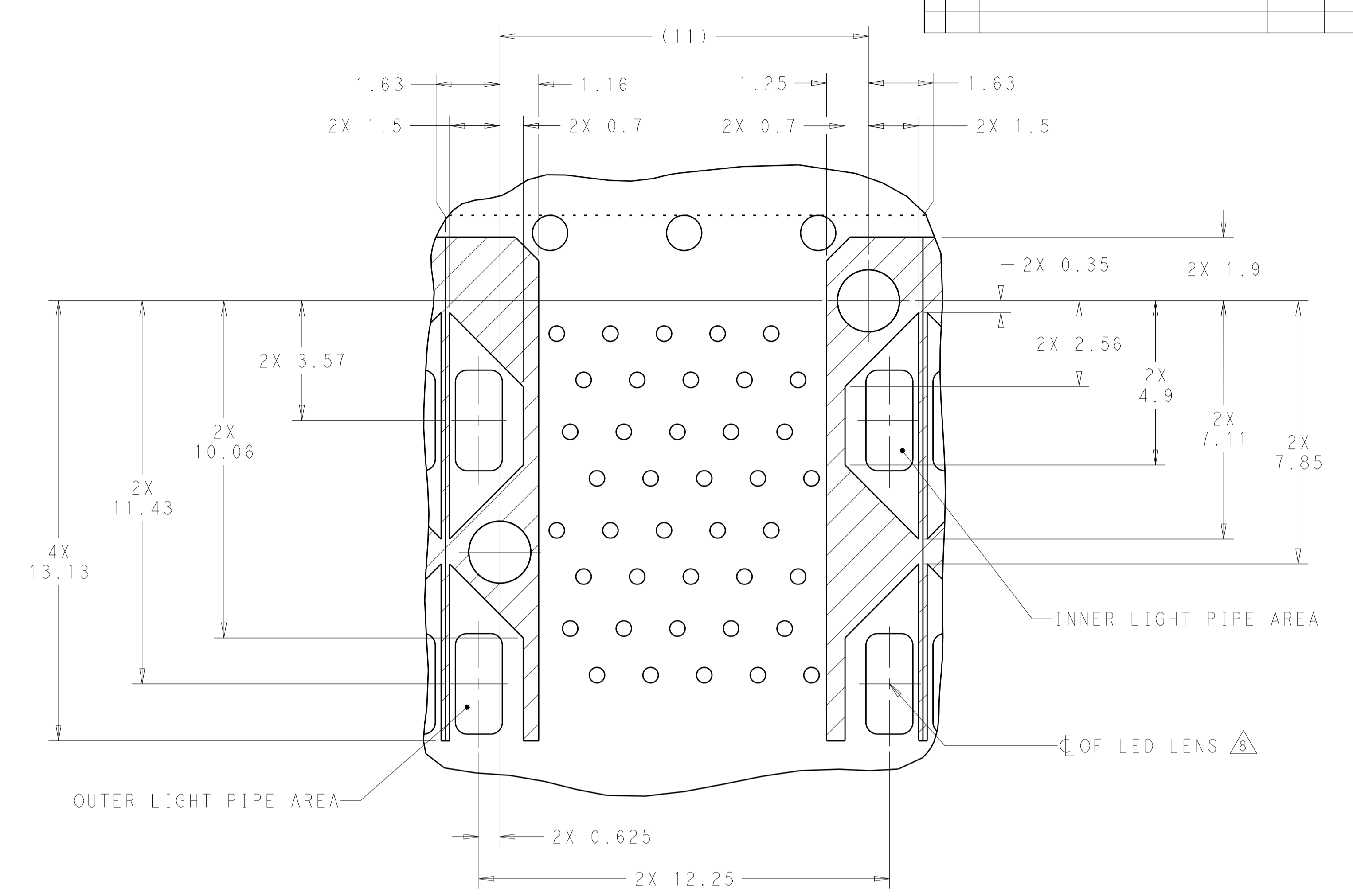
RECOMENDED PCB LAYOUT  
 COMPONENT SIDE OF THE BOARD  
 SCALE 4:1

THIS DRAWING IS A CONTROLLED DOCUMENT. DIMENSIONING AND TOLERANCING PER ASME Y14.5M-2009.		DWN C. VALENTINE 08OCT2010	TE Connectivity	
DIMENSIONS: mm		CHK J. PETERSON 08OCT2010	NAME CAGE AND PT CONNECTOR ASSEMBLY, WITH EMI SPRINGS, PRESS FIT, 2X8, STACKED SFP+	
TOLERANCES UNLESS OTHERWISE SPECIFIED: 0 PLC ±. 1 PLC ±0.10 2 PLC ±0.10 3 PLC ±0.10 4 PLC ±0.10 ANGLES ±. FINISH		APVD J. PETERSON 08OCT2010	PRODUCT SPEC 108-2331	
MATERIAL		APPLICATION SPEC 114-13219	RESTRICTED TO	
		WEIGHT	SIZE CAGE CODE DRAWING NO A100779C=2149490	
		CUSTOMER DRAWING	SCALE 3:1 SHEET 3 OF 4 REV A1	

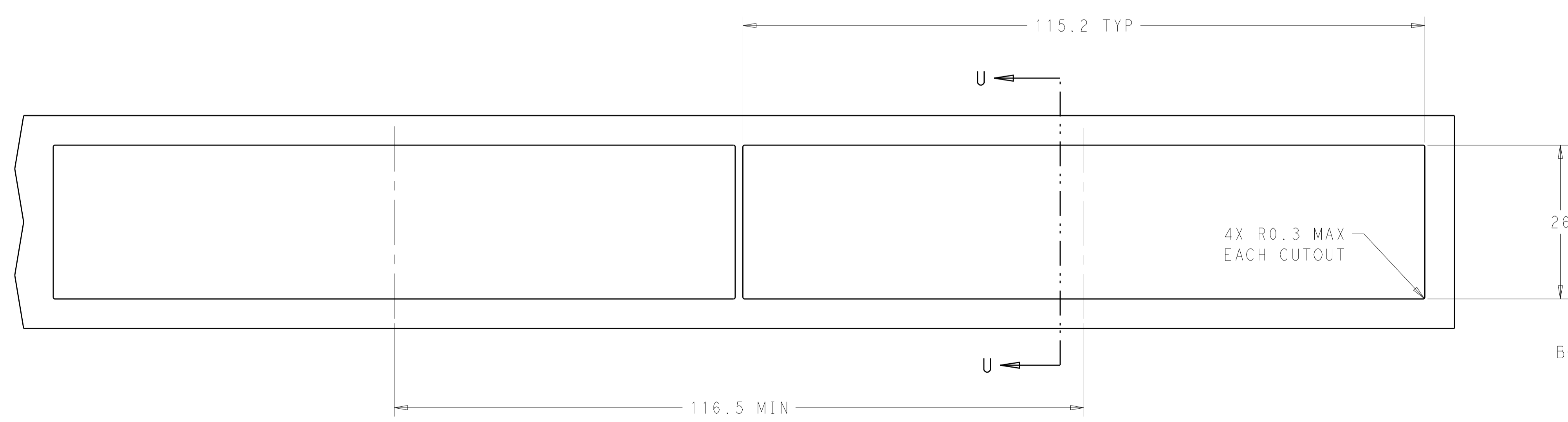
LOC		DIST		REVISIONS			
GP	00	P	LTN	DESCRIPTION	DATE	DMN	APVD
		-	-	SEE SHEET 1	-	-	-



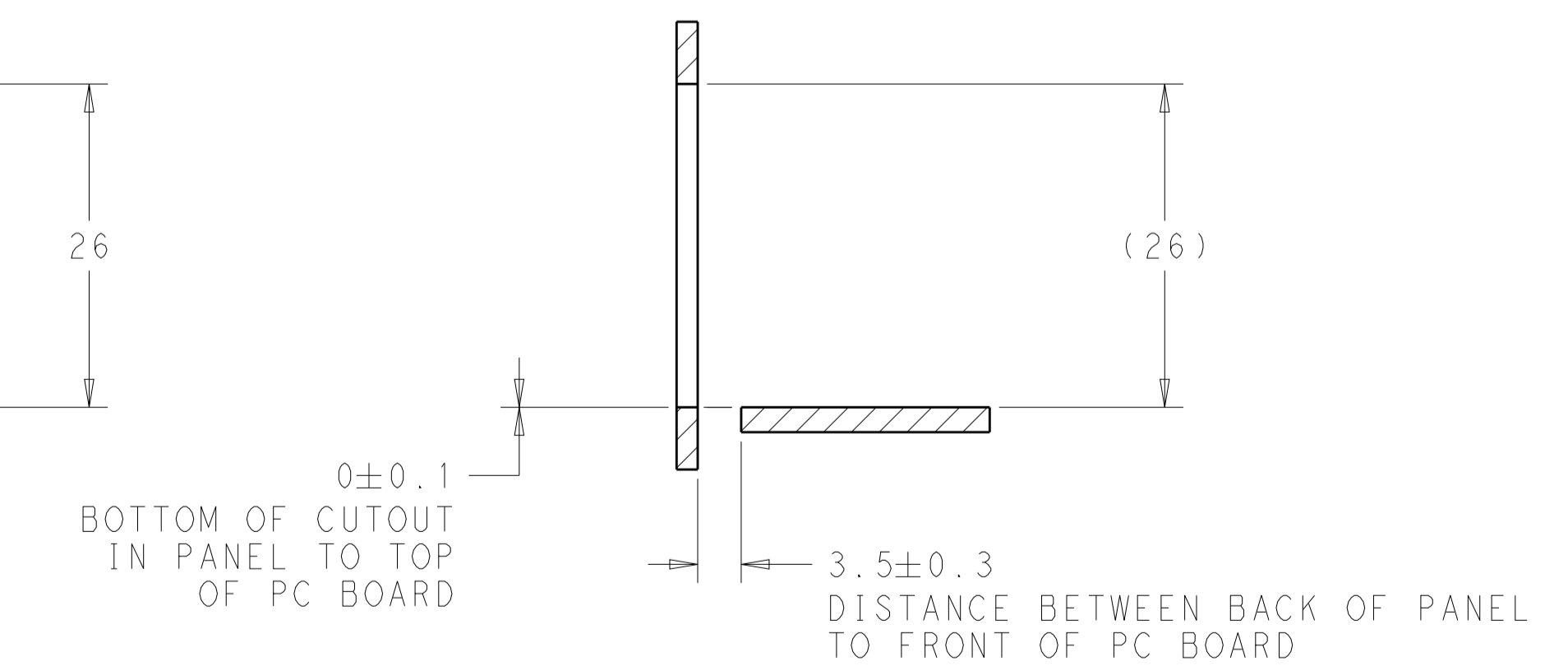
DETAIL F  
 8X INDIVIDUALLY  
 SCALE 10:1



DETAIL G  
 CONNECTOR HOUSING  
 KEEP-OUT ZONE  
 8X INDIVIDUALLY  
 SCALE 10:1



RECOMMENDED PANEL CUTOUT  
 AND PC BOARD, PANEL LAYOUT  
 SCALE 2:1



SECTION U-U  
 SCALE 2:1

THIS DRAWING IS A CONTROLLED DOCUMENT. DIMENSIONING AND TOLERANCING PER ASME Y14.5M-2009.		DMN C. VALENTINE 08OCT2010	TE Connectivity
DIMENSIONS: mm		CHK J. PETERSON 08OCT2010	
TOLERANCES UNLESS OTHERWISE SPECIFIED:		APVD J. PETERSON 08OCT2010	NAME CAGE AND PT CONNECTOR ASSEMBLY, WITH EMI SPRINGS, PRESS FIT, 2X8, STACKED SFP+
0 PLC	±	PRODUCT SPEC	SIZE 108-2331
1 PLC	±0.10	APPLICATION SPEC	RESTRICTED TO
2 PLC	±0.10	114-13219	A100779C=2149490
3 PLC	±0.10	WEIGHT	SCALE 3:1 SHEET 4 OF 4 REV A1
4 PLC	±0.10	CUSTOMER DRAWING	
ANGLES	±0.10		
FINISH			